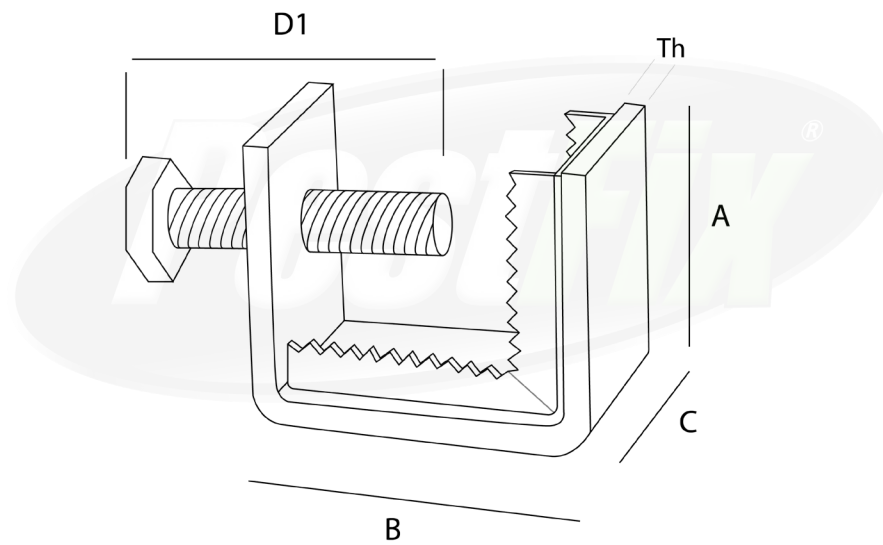
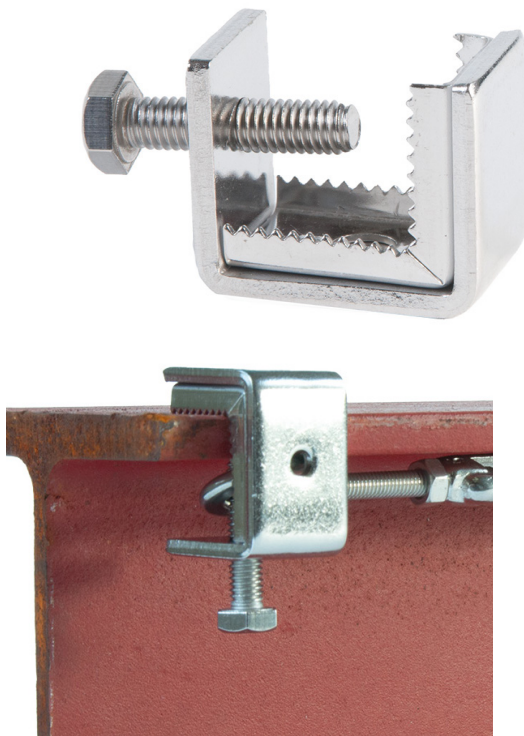


Technical Specifications

SKU: NF160

Product Name: Beam Clamp M10 0-20mm Stainless Steel



D1	A2-70 M10
A (mm)	26
B (mm)	30
C (mm)	18
Th (mm)	3
Material	Stainless Steel

Used as corner fixings for perimeter wire rope netting frameworks
Secure to the flanges of structural steel such as 'H' or 'C' section beams and columns. Stainless steel toothed for flanges 0mm - 20mm thick. Use the Beam Clamp to anchor runs of wire rope at each end of your bird control netting perimeter framework and at 10m linear intervals around the perimeter in order to strain from.
Your perimeter wire rope framework should start, finish and be tensioned from these clamps.